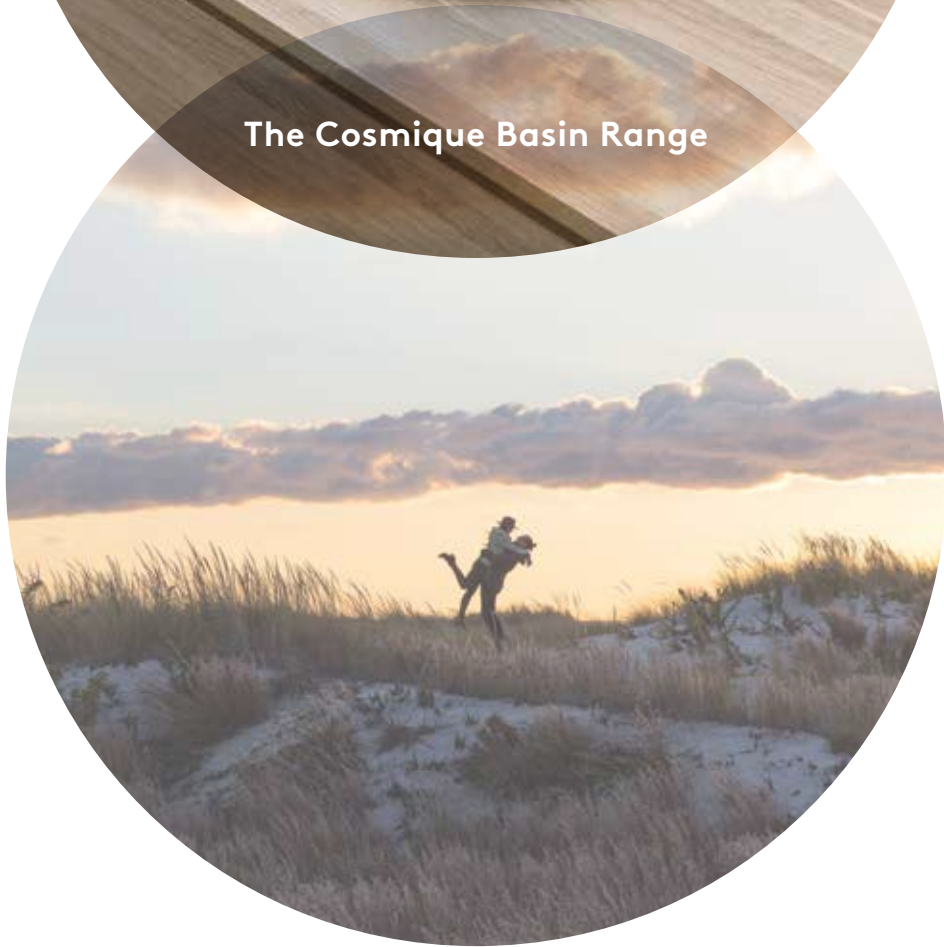


The Cosmique Basin Range



[caroma.com.au](http://caroma.com.au)

*inspire*  
**Caroma**

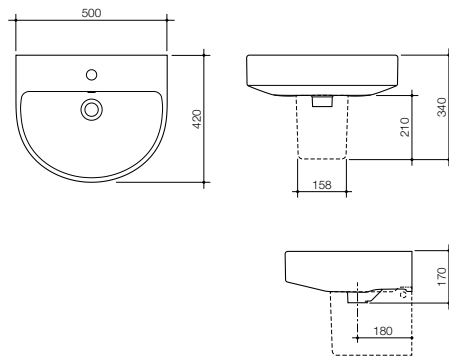
# Caroma Cosmique Basins

**A fresh take on the bathroom basin.** The right bathroom basin can work wonders, so it pays to select well. With its distinctive, semi-circular bowl and elegant, thin-lipped edge, Caroma's Cosmique range is stylish, modern and compatible with a range of tastes. Matched with your choice of Caroma tapware and accessories, Cosmique is the ideal choice for any bathroom.

- Inset, wall and semi recessed options
- Shroud available for installation with the wall basin
- Available in 0 and 1 tap hole versions
- Wall and semi recessed basins can be installed to comply to AS1428.1:2009 requirements, designed for access and mobility



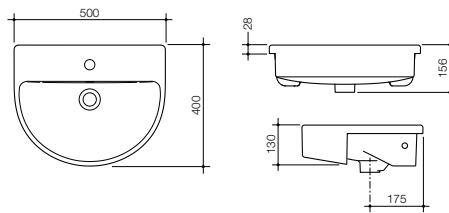
01



//01 **Cosmique Wall Basin**  
Capacity: 3.75L to overflow  
0TH - 898105W  
1TH - 898115W



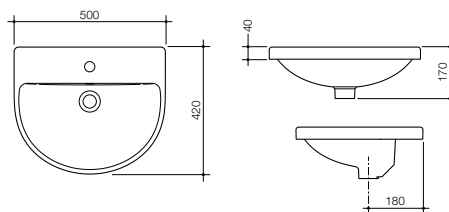
02



//02 **Cosmique Semi Recessed Basin**  
Capacity: 2.95L to overflow  
0TH - 898205W  
1TH - 898215W



03



//03 **Cosmique Inset Basin**  
Capacity: 4.0L to overflow  
0TH - 898305W  
1TH - 898315W

Matched with Track Basin Mixer as shown in all images.

*inspire*  
**Caroma**



For more information call **13 14 16** or visit [www.caroma.com.au](http://www.caroma.com.au)

 **GWA**  
Bathrooms & Kitchens

©Copyright 2014. Caroma Industries Ltd. ABN 35 000 189 499. All rights reserved. Material and design specifications subject to change without notice. Product colour reproduction is as near to actual product colour as production methods allow. Warning: Products in this flyer are the subject of registered designs and patents. © is a registered trademark of Caroma Industries. This flyer relates to Australian products only and some product, design or specifications may differ in other countries.