

Caroma *Care*



specify.caroma.com.au

The Caroma Care 600 Wall Basin

Practical functionality meets optimal compliancy with the Caroma Care 600 Wall Basin, offering the perfect solution for hospital & health facilities and commercial bathrooms.

The Caroma Care 600 Wall Basin

As leaders in design and engineering, Caroma have added to their Care range with the release of the Care 600 Wall Basin. The basin is specifically designed to meet Type B hospital basin requirements for general staff hand washing and is compatible with a range of care and hospital specific tapware whilst meeting AS1428.1-2009 Amd.1 requirements. Featuring a fully glazed bowl and integrated shroud, the Caroma Care 600 Wall Basin is ideal for infection and hygiene management – the perfect solution for hospital and health facilities. Optimal basin waste and tapware landing projections reduce potential splashing caused by the water stream from the tapware flowing directly into the basin waste.



Features

Optimal basin waste and tapware landing projections reduce potential splashing caused by the water stream from the tapware flowing directly into the basin waste

Rimmed tap landing detail directs water into the bowl

Sloped tap landing reduces water retention

No overflow for increased hygiene

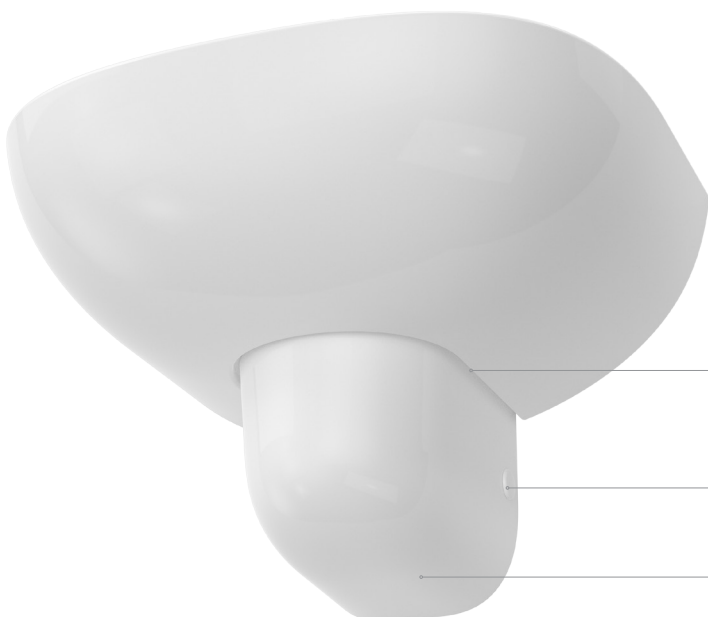
140mm deep bowl, ideal for thorough hand washing

Chrome grate waste (supplied) suitable for hospital applications

Anti-splash rim reduces potential splashing

Clean smooth lines and fully glazed to provide superior infection control

Meets AS1428.1-2009 Amd.1 Design for access and mobility



Optional Shroud Features

Fully integrated shroud provides increased infection control and eliminates potential contraband storage

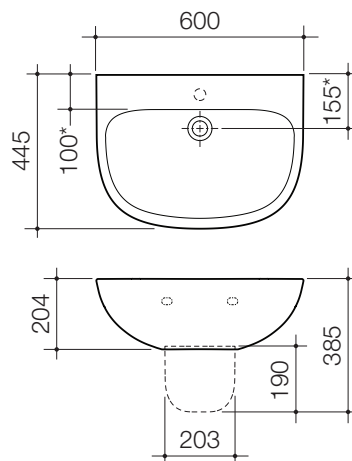
Easy to install and tamper resistant shroud bracket fixing

Vitreous china material for increased hygiene

Recommended tapware options for the Caroma Care 600 Wall Basin



Hansa Tempra TMV Basin Mixer 083852020037



FEATURES:

* Optimal basin waste and tapware landing projections reduce potential splashing caused by the water stream from the tapware flowing directly into the basin waste.

Caroma Care 600 Wall Basin 0TH (without shroud) 873100W

Caroma Care 600 Wall Basin 1TH (without shroud) 873110W

Caroma Care Shroud 873170W



Caroma G-Series Exposed Wall Sink Set
G52340CA 160mm outlet, 150mm levers



Caroma G-Series E Hands Free Basin Tap
G16006E6A



Hansa Medica Prado Basin Mixer
014222760037



Dorf Flickmixer Plus Care Basin Mixer
4550.045A - Care Handle 4558.04



Caroma Nordic Care Basin Mixer
90965C5A



Caroma Acqua Care Basin Mixer
90989C5A

The Caroma Care 600 Wall Basin is suitable for the following applications:

 Hospitals & Health

 Aged Care

Caroma
Care

For more information call **13 14 16** or visit specify.caroma.com.au

 **GWA**
Bathrooms & Kitchens

©Copyright 2014, Caroma Industries Ltd, ABN 35 000 189 499. All rights reserved. Material and design specifications subject to change without notice. Product colour reproduction is as near to actual product colour as production methods allow. Warning: Products in this flyer are the subject of registered designs and patents. ® is a registered trademark of Caroma Industries. This flyer relates to Australian products only and some product, design or specifications may differ in other countries.