

Caroma *Care*



caroma.com.au

Caroma Caravelle Support Suite

Caroma is leading the way in providing solutions for Australia's increasing aging population. Resulting from ongoing research, Caroma introduces the Caravelle Support Suite to its extensive product portfolio.

Caravelle Support Suite

As leaders in design and engineering, Caroma are proud to offer assisted-living bathroom solutions. Our Caravelle Support Suite allows users to maintain their independence and can be used in Aged Care facilities, hospitals, nursing homes and general public washrooms.

Understanding that mobility can decrease with age, our Caravelle Support Suite has an extra height pan so less bending is required to reach the

seat. Extra comfort and support is also provided by an integrated back rest as part of the vitreous china cistern. If additional assistance is required, the Caroma Caravelle Support Suite is available with armrests that have an integrated locking mechanism, allowing the armrests to be locked in both up and down positions.

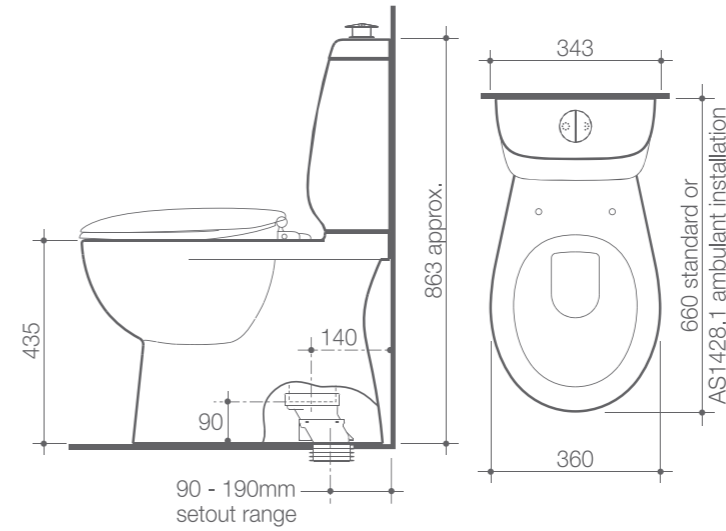
Caroma – providing complete care solutions



Stringent Product Testing

Component	Testing
Pan	Vertical load tested to in excess of the Australian Standards' requirement of 400kg
Cistern	Weight loading tested to 110kg in any direction
Care Seat	Tested to withstand a maximum weight of 400kg
Performance	Approximately 300,000 cycle flush test
Arms	System load tested to 160kg

Features



Caravelle Support Suite supplied with Orbital® connector technology for flexible installation

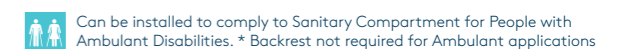


Above: Caravelle Support Suite with Armrests - Double Flap


Armrests Features and Benefits

- Armrests integrated into toilet suite design, no wall installation work required.
- Armrests can be retrofitted with appropriate pan
- Stainless steel arms provide superior strength and durability
- Ergonomic hand grips for maximum comfort
- Easy access to toilet roll holder

Toilet Suite	Seat Description	Code	White	Sorrento Blue (SB)	Anthracite Grey (AG)	Independent living	Ambulant
CARAVELLE Support Suite	Caravelle Care Single Flap	987410	✓	✓	✓	✓	✓
CARAVELLE Support Suite	Caravelle Care Double Flap	987420	✓	✓	✓	✓	✓
CARAVELLE Support Suite with Armrests	Caravelle Care Single Flap	987410AR	✓	✓	✓	✓	✓
CARAVELLE Support Suite with Armrests	Caravelle Care Double Flap	987420AR	✓	✓	✓	✓	✓




The Caravelle Support Suite is suitable for a range of applications including:

 Sporting & Public Venues

 Hospitals & Health

 Aged Care

 Shopping Centres

Caroma
Care For more information call **13 14 16** or visit www.caroma.com.au

 **GWA**
Bathrooms & Kitchens

